



Quick Installation Guide

This document will guide you through the basic installation process for your new D-Link Access Point.

DWL-8710AP



Documentation is also available on
the CD and the D-Link website

Before You Begin

This Quick Installation Guide gives you step-by-step instructions for setting up your DWL-8710AP 802.11n/ac Unified Wireless Outdoor Access Point. For more detailed information about the access point, configuring the device, and technical specifications, please refer to the User Manual.

Package Contents

This DWL-8710AP package should include the following items:

- DWL-8710AP
- 4 antennas
- 4 antenna connector caps
- Grounding wire and screw
- Wall mounting base plate
- Pole mounting bracket
- Mounting kit (bolts, washers, nuts, screws, pole strap)
- CD-ROM with documentation

To power the DWL-8710AP, please use any D-Link IEEE 802.3at-compliant PoE switch or the D-Link DPE-101GI/ DPE-301GI PoE injector. If any of the above items are damaged or missing, please contact your local D-Link reseller.

System Requirements

- CD-ROM drive
- Computer with Windows, Macintosh, or Linux-based operating system
- Installed and operational Ethernet adapter
- Internet Explorer 6.0, Chrome 2.0, Safari 2.0, or Firefox 3.0 and above

Hardware Overview

LED Indicators

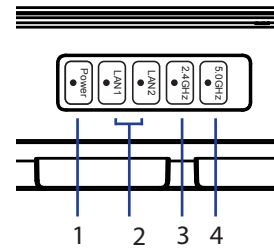


Figure 1: Front panel LEDs

#	LED	Status	Description
1	Power	On	Device is powered and working
2	LAN 1/2	Blinking	Data is being processed
		On	Port is connected to a device
3	2.4 GHz	Blinking	Wireless data is being processed
		On	AP is transmitting over 2.4 GHz
4	5 GHz	Blinking	Wireless data is being processed
		On	AP is transmitting over 5 GHz

Table 1: LED overview

Bottom Interface Connectors

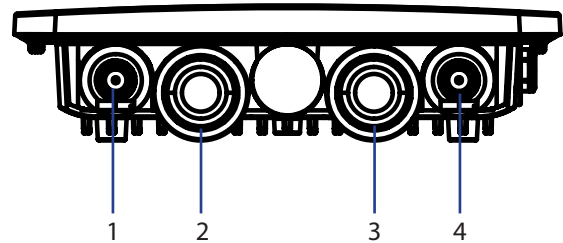


Figure 2: Bottom panel connectors

#	Connector	Description
1	5 GHz	Antenna connector for the 5 GHz band antenna
2	LAN 1	LAN and PoE input port
3	LAN 2	Non-PoE LAN input port
4	2.4 GHz	Antenna connector for the 2.4 GHz band antenna

Table 2: Connector description

Top Interface Connectors

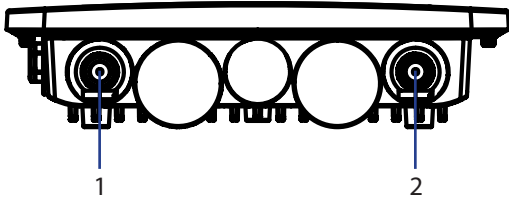


Figure 3: Top panel connectors

#	Connector	Description
1	5 GHz	Antenna connector for the 5 GHz band antenna
2	2.4 GHz	Antenna connector for the 2.4 GHz band antenna

Table 3: Top connector description

Side Panel

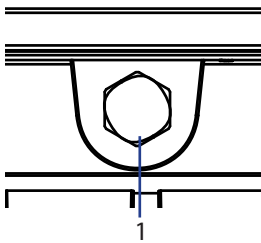


Figure 4: Side panel vent

#	Item	Description
1	Vent	Repels liquid and particles while allowing air to pass through

Table 4: Vent description

Grounding

Grounding in a cabling installation refers to connecting non-current carrying metal parts of conductors to a building's system ground (earth ground).

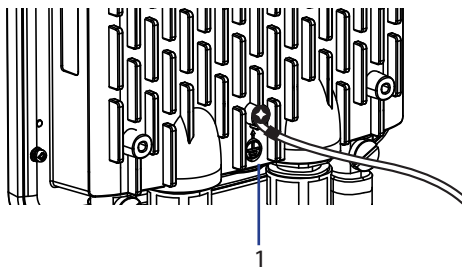


Figure 5: Ground connector

#	item	Description
1	Ground Connector	Protects equipment from power surges.

Table 5: Ground Connector description

Hardware Installation

Powering the Access Point

You can power the DWL-8710AP by connecting a PoE injector's PoE-OUT to the LAN1 port (PoE-Input) on the DWL-8710AP. Then connect the PoE injector's LAN-IN port to an available Ethernet port on your computer and plug in the injector's power cord into a power outlet as shown in figure 5.

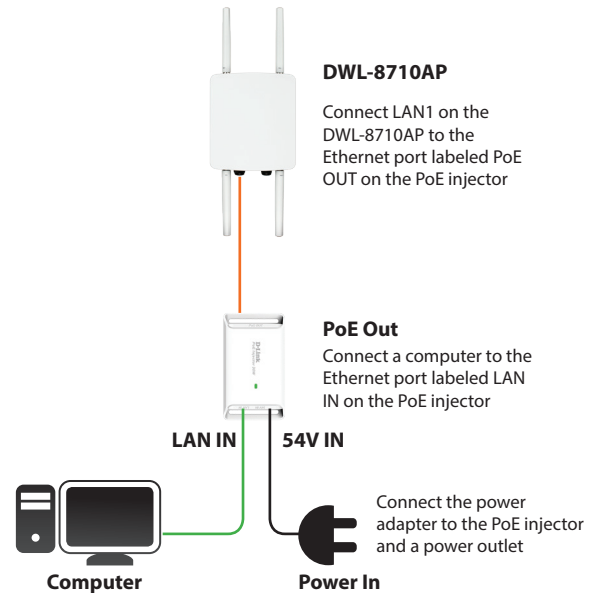


Figure 6: Powering with a PoE injector

Alternatively, you may directly connect the LAN1 (PoE-Input) port on the DWL-8710AP to any available PoE-capable port of an 802.3at-compliant PoE switch, as illustrated in figure 6.

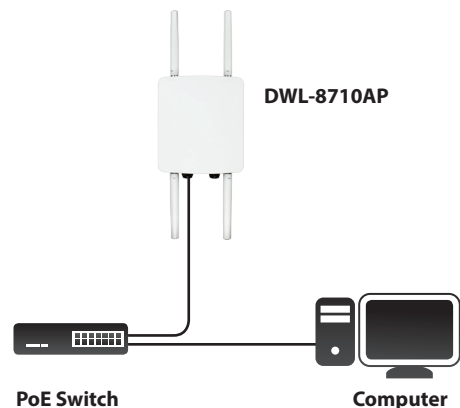


Figure 7: Direct PoE powering

Protecting the Network Ports

The DWL-8710AP's Ethernet ports are equipped with a set of protective sealing caps designed for outdoor use. Please refer to figure 7 for how to correctly attach and secure the Ethernet cables to the DWL-8710AP.

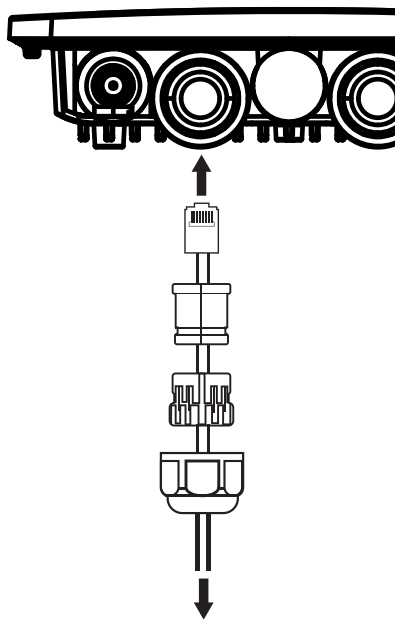


Figure 8: Securing the Ethernet cable

Mounting the AP to a Wall

The DWL-8710AP can be mounted either horizontally or vertically. However, it is recommended that the AP is installed with the antennas positioned vertically in order to achieve optimal performance.

1. Use the mounting base plate to mark the location on the surface where you want to mount the DWL-8710AP. Next, drill a hole of 8 mm wide and 37 mm deep on all 4 markings.
2. Remove the nut and washer from the bolts and place the bolts in the holes as shown below in figure 8.

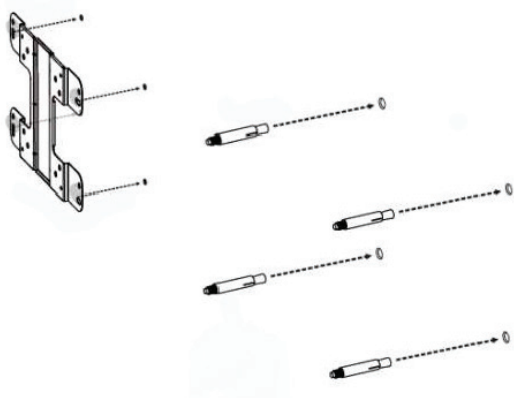


Figure 9: Preparing the mounting location

3. Place and lock the flat washer on the cap screws and attach the mounting plate to the back of the DWL-8710AP using the screws as illustrated in figure 9.

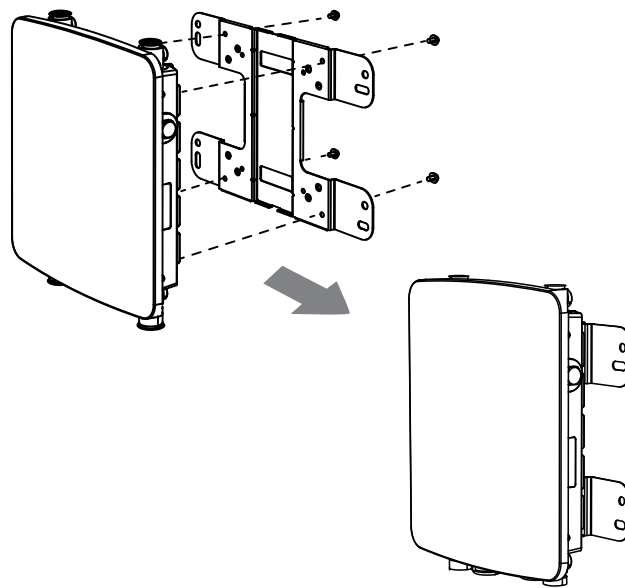


Figure 10: Mounting the base plate

4. Mount the DWL-8710AP onto the bolts that were placed in the wall, then fasten the bolts' flat washers and nuts to secure the mounting plate with the AP to the wall surface.

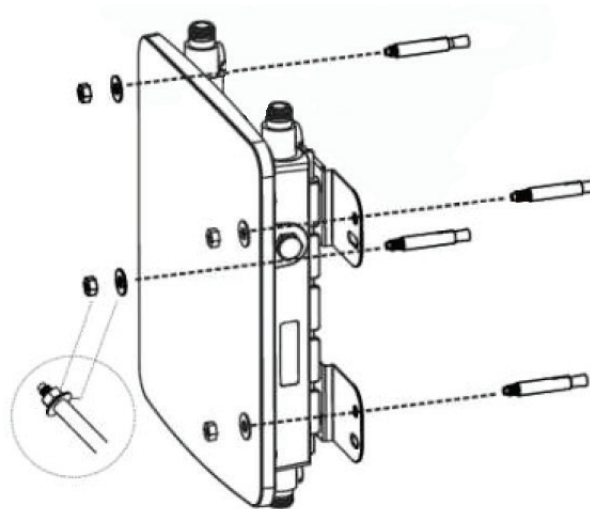


Figure 11: Securing the AP

- Remove the protective caps covering the antenna ports on the AP, if any. Next, connect the 2 antennas marked "2.4 GHz" to the designated 2.4 GHz connectors and the antennas marked "5 GHz" to the designated 5 GHz connectors on the AP. The DWL-8710AP is now ready to be connected to the network.

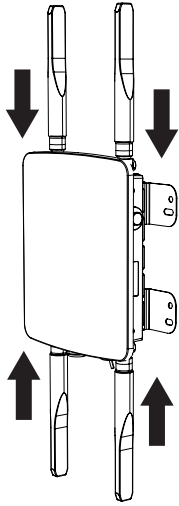


Figure 12: Attaching the antennas

Mounting the AP to a Pole

The DWL-8710AP can be mounted either horizontally or vertically. However, it is recommended that the AP is installed with the antennas positioned vertically in order to achieve optimal performance.

- Place the lock and flat washer on the cap screws and attach the mounting plate to the back of the DWL-8710AP.

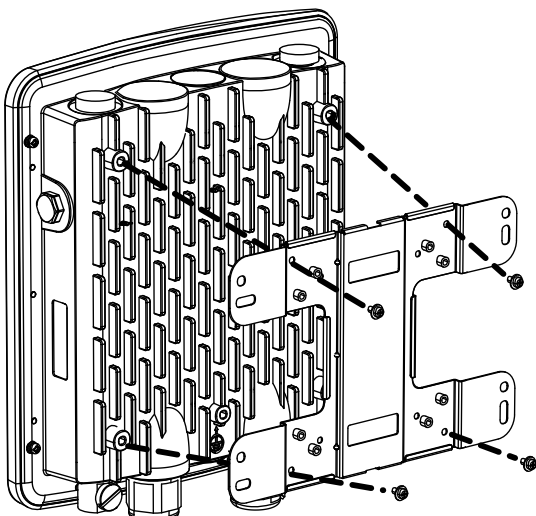


Figure 13: Mounting the base plate

- Depending on the orientation of the pole you wish to install the AP onto (horizontal or vertical), attach the pole mounting bracket to the mounting base plate accordingly using the screws. Refer to figure 13 for the proper position of the pole mounting bracket for each direction.

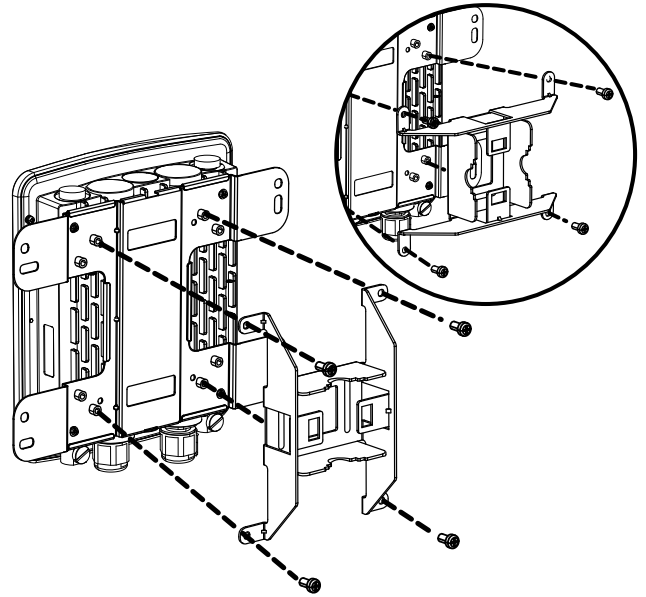


Figure 14: Attaching the pole mount base

- Thread the open end of the pole strap through the two tabs on the pole mounting bracket to secure the strap to the mounting bracket.

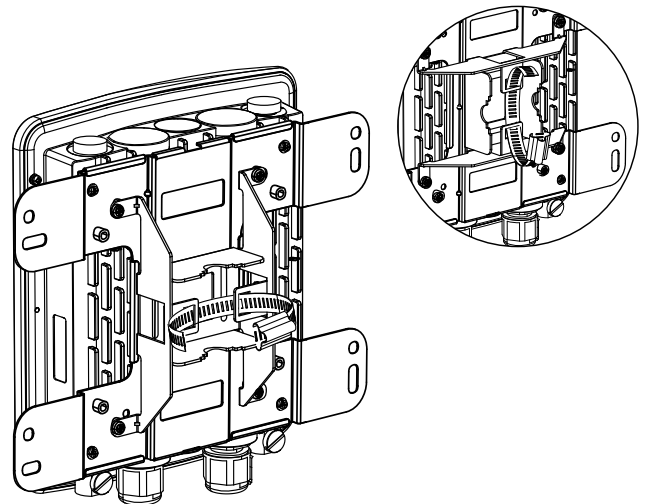


Figure 15: Attaching the pole strap

- Choose the location where you want to mount the AP and place the strap around the pole. Tighten and lock the strap to secure the pole mount bracket with the AP to the pole.

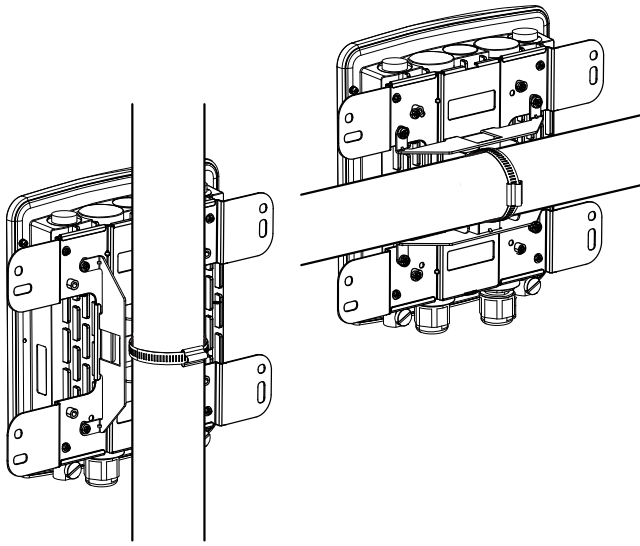


Figure 16: AP placement orientation

- Remove the protective caps covering the antenna ports on the AP, if any. Next, attach the 2 antennas marked "**2.4 GHz**" to the designated **2.4 GHz** connectors and the 2 antennas marked "**5 GHz**" to the designated **5 GHz** connectors on the AP. The DWL-8710AP is now ready to be connected to the network.

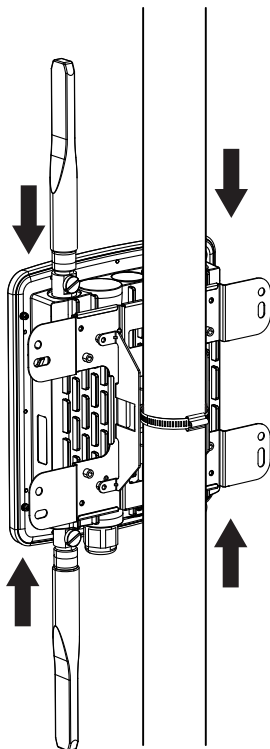


Figure 17: Attaching the antennas

Configuring the Access Point

To configure the DWL-8710AP, simply connect the AP directly to a computer and configure it through its Graphical User Interface (GUI).

For more detailed information on how to set up and configure the DWL-8710AP, please refer to the User Manual.

Configuring the Access Point

To configure the DWL-8710AP, simply connect the AP directly to a computer and configure it through its Graphical User Interface (GUI).

For more detailed information on how to set up and configure the DWL-8710AP, please refer to the User Manual.

1. Choose the location where you want to mount the AP and place the strap around the pole. Tighten and lock the strap to secure the pole mount bracket with the AP to the pole.

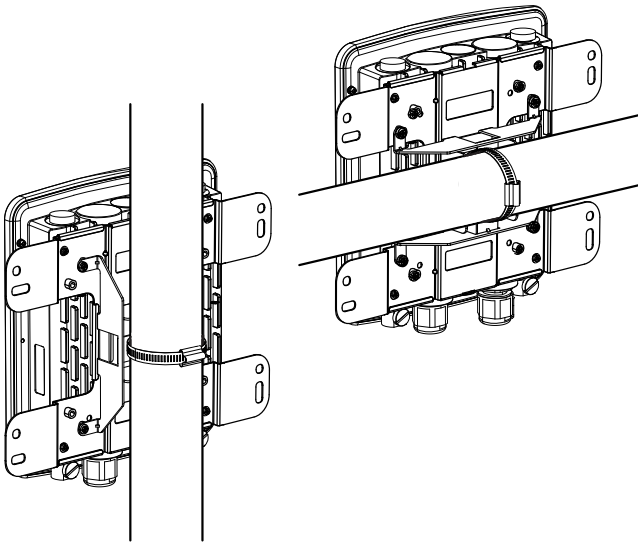


Figure 16: AP placement orientation

2. Remove the protective caps covering the antenna ports on the AP, if any. Next, attach the 2 antennas marked "**2.4 GHz**" to the designated **2.4 GHz** connectors and the 2 antennas marked "**5 GHz**" to the designated **5 GHz** connectors on the AP. The DWL-8710AP is now ready to be connected to the network.

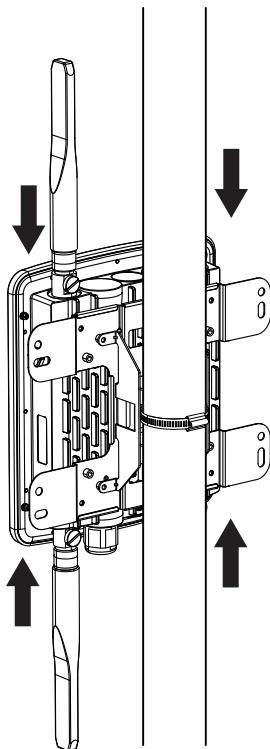


Figure 17: Attaching the antennas

Federal Communication Commission Interference Statement

This equipment has been tested and found to comply with the limits for a Class B digital device, pursuant to Part 15 of the FCC Rules. These limits are designed to provide reasonable protection against harmful interference in a residential installation. This equipment generates, uses and can radiate radio frequency energy and, if not installed and used in accordance with the instructions, may cause harmful interference to radio communications. However, there is no guarantee that interference will not occur in a particular installation. If this equipment does cause harmful interference to radio or television reception, which can be determined by turning the equipment off and on, the user is encouraged to try to correct the interference by one of the following measures:

- Reorient or relocate the receiving antenna.
- Increase the separation between the equipment and receiver.
- Connect the equipment into an outlet on a circuit different from that to which the receiver is connected.
- Consult the dealer or an experienced radio/TV technician for help.

FCC Caution: Any changes or modifications not expressly approved by the party responsible for compliance could void the user's authority to operate this equipment.

This device complies with Part 15 of the FCC Rules. Operation is subject to the following two conditions: (1) This device may not cause harmful interference, and (2) this device must accept any interference received, including interference that may cause undesired operation.

This transmitter must not be co-located or operating in conjunction with any other antenna or transmitter.

IMPORTANT NOTE:

FCC Radiation Exposure Statement:

This equipment complies with FCC radiation exposure limits set forth for an uncontrolled environment. This equipment should be installed and operated with minimum distance 24cm between the radiator & your body.

Industry Canada statement:

This device complies with Industry Canada licence-exempt RSS standard(s). Operation is subject to the following two conditions: (1) this device may not cause interference, and (2) this device must accept any interference, including interference that may cause undesired operation of the device.

Le présent appareil est conforme aux CNR d'Industrie Canada applicables aux appareils radio exempts de licence. L'exploitation est autorisée aux deux conditions suivantes : (1) l'appareil ne doit pas produire de brouillage, et (2) l'utilisateur de l'appareil doit accepter tout brouillage

radioélectrique subi, même si le brouillage est susceptible d'en compromettre le fonctionnement.

Caution :

- (i) the device for operation in the band 5150-5250 MHz is only for indoor use to reduce the potential for harmful interference to co-channel mobile satellite systems;
- (ii) high-power radars are allocated as primary users (i.e. priority users) of the bands 5250-5350 MHz and 5650-5850 MHz and that these radars could cause interference and/or damage to LE-LAN devices.

Avertissement:

- (i) les dispositifs fonctionnant dans la bande 5150-5250 MHz sont réservés uniquement pour une utilisation à l'intérieur afin de réduire les risques de brouillage préjudiciable aux systèmes de satellites mobiles utilisant les mêmes canaux;
- (ii) De plus, les utilisateurs devraient aussi être avisés que les utilisateurs de radars de haute puissance sont désignés utilisateurs principaux (c.-à-d., qu'ils ont la priorité) pour les bandes 5250-5350 MHz et 5650-5850 MHz et que ces radars pourraient causer du brouillage et/ou des dommages aux dispositifs LAN-EL.

Radiation Exposure Statement:

This equipment complies with IC radiation exposure limits set forth for an uncontrolled environment. This equipment should be installed and operated with minimum distance 30cm between the radiator & your body.

Déclaration d'exposition aux radiations:

Cet équipement est conforme aux limites d'exposition aux rayonnements IC établies pour un environnement non contrôlé. Cet équipement doit être installé et utilisé avec un minimum de 30 cm de distance entre la source de rayonnement et votre corps.

This radio transmitter (IC: 4216A-WL8710APA1) has been approved by Industry Canada to operate with the antenna types listed below with the maximum permissible gain and required antenna impedance for each antenna type indicated. Antenna types not included in this list, having a gain greater than the maximum gain indicated for that type, are strictly prohibited for use with this device.

Antenna information

Frequency	Band	Model	Type	Connector	Gain(dBi)
2.4GHz	Master Wave	95615MNXX003	Dipole	N Plug	4.92
5GHz	Master Wave	95615MNXX005	Dipole	N Plug	6.92

Professional installation instruction (for FCC)

1. Installation personal

This product is designed for specific application and needs to be installed by a qualified personal who has RF and related rule knowledge. The general user shall not attempt to install or change the setting.

2. Installation location

The product shall be installed at a location where the radiating antenna can be kept 24cm from nearby person in normal operation condition to meet regulatory RF exposure requirement.

3. External antenna

Use only the antennas which have been approved by the applicant. The non-approved antenna(s) may produce unwanted spurious or excessive RF transmitting power which may lead to the violation of FCC limit and is prohibited.

4. Installation procedure

Please refer to user's manual for the detail.

5. Warning

Please carefully select the installation position and make sure that the final output power does not exceed the limit set force in relevant rules. The violation of the rule could lead to serious federal penalty.

Professional installation instruction (for IC)

1. Installation personal

This product is designed for specific application and needs to be installed by a qualified personal who has RF and related rule knowledge. The general user shall not attempt to install or change the setting.

2. Installation location

The product shall be installed at a location where the radiating antenna can be kept 30cm from nearby person in normal operation condition to meet regulatory RF exposure requirement.

3. External antenna

Use only the antennas which have been approved by the applicant. The non-approved antenna(s) may produce unwanted spurious or excessive RF transmitting power which may lead to the violation of IC limit and is prohibited.

4. Installation procedure

Please refer to user's manual for the detail.

5. Warning

Please carefully select the installation position and make sure that the final output power does not exceed the limit set force in relevant rules. The violation of the rule could lead to serious federal penalty.

Instructions d'installation professionnelle

1. Installation

Ce produit est destine a un usage specifique et doit etre installe par un personnel qualifie maitrisant les radiofrequences et les regles s'y rapportant. L'installation et les reglages ne doivent pas etre modifies par l'utilisateur final.

2. Emplacement d'installation

En usage normal, afin de respecter les exigences reglementaires concernant l'exposition aux radiofrequences, ce produit doit etre installe de facon a respecter une distance de 30cm entre l'antenne emettrice et les personnes.

3. Antenn externe.

Utiliser uniuquement les antennes approuvees par le fabricant. L'utilisation d'autres antennes peut conduire a un niveau de rayonnement essentiel ou non essentiel depassant les niveaux limites definis par IC, ce qui est interdit.

4. Procedure d'installation

Consulter le manuel d'utilisation.

5. Avertissement

Choisir avec soin la position d'installation et s'assurer que la puissance de sortie ne depasse pas les limites en vigueur. La violation de cette regle peut conduire a de serieuses penalites federales.

低功率電波輻射性電機管理辦法

第十二條 經型式認證合格之低功率射頻電機，非經許可，公司、商號或使用者均不得擅自變更頻率、加大功率或變更原設計之特性及功能。

第十四條 低功率射頻電機之使用不得影響飛航安全及干擾合法通信；經發現有干擾現象時，應立即停用，並改善至無干擾時方得繼續使用。

前項合法通信，指依電信法規定作業之無線電通信。低功率射頻電機須忍受合法通信或工業、科學及醫療用電波輻射性電機設備之干擾。

電磁波曝露量MPE標準值1mW/cm²，本產品使用時建議應距離人體 24 cm。

D-Link[®]



Ver. 1.00(WW)_90x130
2016/04/19