

# DVX-2004

Small and Medium Business

IP-PBX

VERSION2.00

## Quick Installation Guide



**D-Link**<sup>®</sup>

**VOIP**

# D-Link®

## Quick Installation Guide

This product can be set up using any current Web browser, i.e., Internet Explorer 6.0 or Netscape Navigator 7.0



**DVX-2004**  
IP-PBX

### Check Your Package Contents

These are the items included with your DVX-2004 IP-PBX purchase:



DVX-2004 IP-PBX



Power adaptor



CD-ROM (containing Manual and Quick Installation Guide)



Antenna (Only for DVX-2004G)

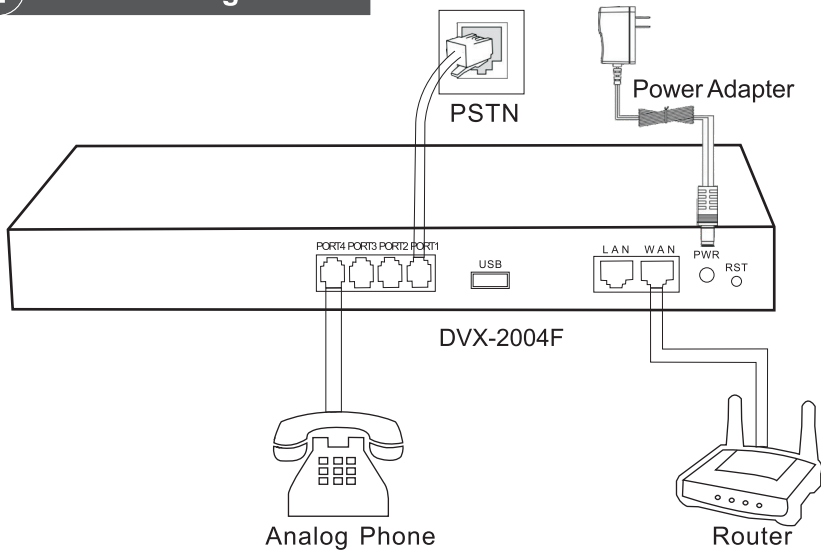


Quick Installation Guide

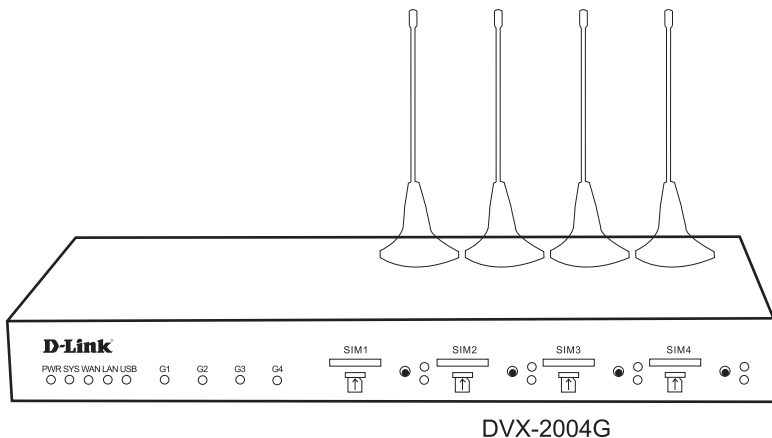


Warranty & Safety Information

# 1 Connecting IP PBX



- DVX-2004F
- FXO Connect PSTN
- FXS Connect Analog Phone



- DVX-2004G
- SIM1-SIM4 for SIM Card

## 2 LED

Mark	Function	Status	Description
PWR	Power status	On	Power On
		Off	Power Off
SYS	System Status	On	System Working
		Off	System Failed
WAN	WAN Interface Status	Wink	Data Exchanging
		Off	No Data Exchanging
LAN	WAN Interface Status	Wink	Data Exchanging
		Off	No Data Exchanging
1~4	Analog Modules Status	Green	FXS Channel
		Red	FXO Channel
		Off	Failed
G1~G4	GSM Modules Status	Green	GSM Channel
		Off	Failed

G1~G4 are LED marks of DVX-2004G.

## 3 Getting IP Address

DVX-2004 support 3 ways to get the IP Address: Static/DHCP/PPPoE  
Default IP and Port of WAN:

WAN Port IP: http://192.168.1.100:9999

LAN Port IP: http://192.168.10.100:9999

LAN Supper IP: 169.254.1.254/255.255.0.0

## 4 Login DVX-2004

After connecting DVX-2004 to your local network, open a web in your PC, and input IP address of DVX-2004, then login page is shown at right. (Default username and password are admin)



The image shows the D-Link login page. It features the D-Link logo at the top. Below the logo, there are three input fields: 'Username:' with a text box, 'Password:' with a text box, and 'Language:' with a dropdown menu set to 'English'. A 'Login' button is located at the bottom right of the form. Below the button, the text 'Please login...' is displayed.

## 5 Common Button

Besides of the device info in the home page, the following common buttons are displayed as well:

Log out

Log out GUI

Reboot

Reboot the IP PBX system

Factory Defaults

Restore all settings to factory default.

Activate Changes

Activate the changes for your current configuration.

## 6 Configure Extensions

DVX-2004 support SIP/IAX2 and analog extension, configure extension from this page:

【Basic】→【Extensions】

● Define extension number, dialplan, or define a FXS analog phone for this extension.

● Choose Allow voice/video codecs, default is alaw, ulaw and G. 729.

The screenshot shows the 'Configure Extensions' page. It includes fields for Name, Extension, Password, Outbound CID, VM Password, and E-mail. A 'Dial Plan' dropdown is set to 'DialPlan1'. Under 'Analog Phone', it says 'No Analog lines detected.' There are checkboxes for VoiceMail, SIP, T.38 Fax, NAT, Delete VMail, and Video Call. On the right, there are checkboxes for Can Reinvite, IAX2, Agent, and a dropdown for Pickup Group (set to 0). There is also a DTMF Mode dropdown (set to RFC2833) and a Permit IP checkbox. Below these are sections for 'Auto Provision' (Mac field), 'Audio Codecs Configure' (with checked boxes for alaw, ulaw, G.729, and unchecked for G.726, GSM, Speex), and 'Video Codecs Configure' (with unchecked boxes for H.261, H.263, H.263+, and H.264). 'Save' and 'Cancel' buttons are at the bottom.

## 7 Add Trunks

If you want to set up outbound call by connected to PSTN (Public Switch Telephone Network) or VoIP provider, pls configure on this page:

【Basic】→【Trunks】

DVX-2004 support three kinds of trunks: Analog/GSM, Custom VoIP, Peer.

The screenshot shows the 'Add Trunks' page. It has a 'Description' field. A 'Provider Type' dropdown is set to 'Analog/GSM'. Below it are radio buttons for 'Analog/GSM' (selected), 'VoIP Trunk', and 'Peer'. To the right, there are checkboxes for 'Lines' corresponding to 'Analog Port #1(1)', 'Analog Port #2(2)', 'Analog Port #3(3)', and 'Analog Port #4(4)'. A 'Prefix' field is at the bottom.

## 8 Outbound Routes

Outbound Routes is to define what trunk is used for outbound call by extension user. If you don't allow extension user call out, please ignore this part.

Click **Basic** -> **Outbound Routes** to set.

In this page, you can configure basic match pattern of outbound routes and create different dial plan.

Click **Add a Dial Rule** to show the diagram at right.

The screenshot shows a configuration form for an Outbound Route. It includes the following fields and options:

- Rule Name:
- PIN Set:
- Place this call through:
- Follower:
- Dialing Rules: If the number begins with  and followed by  (more than)  digits. Below this is a link: [\(Define a custom pattern\)](#)
- Delete  digits prefix from the front and auto-add digit  before dialing
- Buttons: **Save** and **Cancel**

## 9 Inbound Route Configuration

When a call from outside, you want to forward this call to an extension or IVR, here, you will be introduced how to deal with the inbound calls. Click **Inbound Routes** to show the diagram at right.

### ● General

When a call from a trunk (Analog/VoIP), it should be forwarded to an extension, call queue, conference or IVR. You can choose flexibly based on your requirement.

### ● Analog Chanel DID

If you want to direct the inbound call from a trunk (Analog) to a specified extension, call queue, conference or IVR, you can use this function.

### ● VoIP Channel DID

If you want to direct the inbound call from a VoIP trunk to a specified extension, call queue, conference or IVR, you can use this trunk (Analog) to a specified extension, call queue, conference or IVR, you can use this function.

### ● VoIP Channel DID

If you want to direct the inbound call from a VoIP trunk to a specified extension, call queue, conference or IVR, you can use this function.

The screenshot shows the 'General' tab of the Inbound Route Configuration form. It has two sections:

- From Analog Channels:** Destination:
- From VoIP Channels:** Destination:

## 10 Network and Tone Zone

Configure IP address of WAN/LAN port of IP PBX, and choose relevant tone for different zone.

Click **【Network And Country】** to show the diagram at right.

The screenshot shows a network configuration interface with three sections:

- WAN Port Setup:** IP Assign: Static (dropdown), Hostname: IPBX, IP Address: 192.168.1.87, Subnet Mask: 255.255.255.0, Gateway: 192.168.1.1, Primary DNS: 192.168.1.1, Alternate DNS: 81.139.2.69.
- LAN Port Setup:** IP Address: 192.168.10.100, Subnet Mask: 255.255.255.0.
- Tone Zone Setting:** Country: CN - China (dropdown).

## 11 Hazardous Substances List

DVX-2004F DVX-2004G	Hazardous Substances					
	Pd	Hg	Cd	VI	PBB	PBDE
Housing	X	O	X	O	O	O
PCBA	X	O	O	O	O	O
Power supply	X	O	O	O	O	O

Notice:

O:The content of hazardous Substances meets the restriction of SJ/T 11363-2006

X:The content of hazardous Substances in part of device is over the restriction of SJ/T 11363-2006, but it is still in the exception list of Directives 2002/95/E

